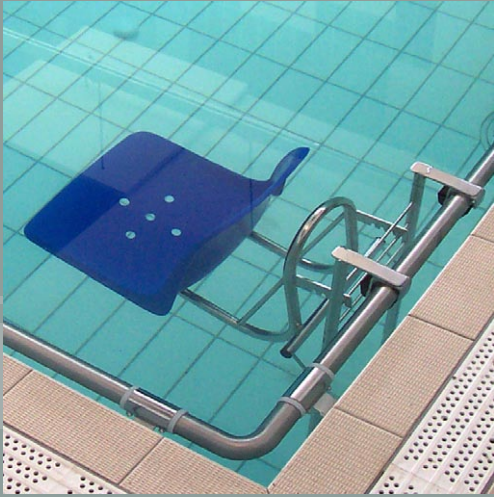
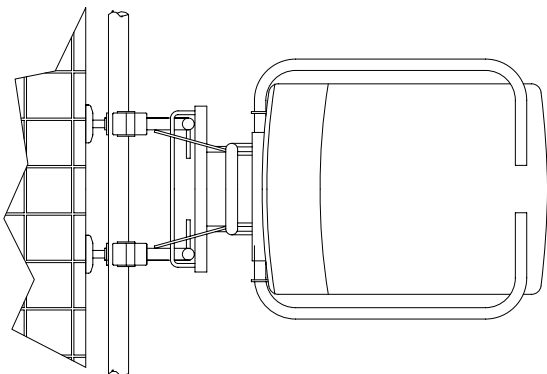
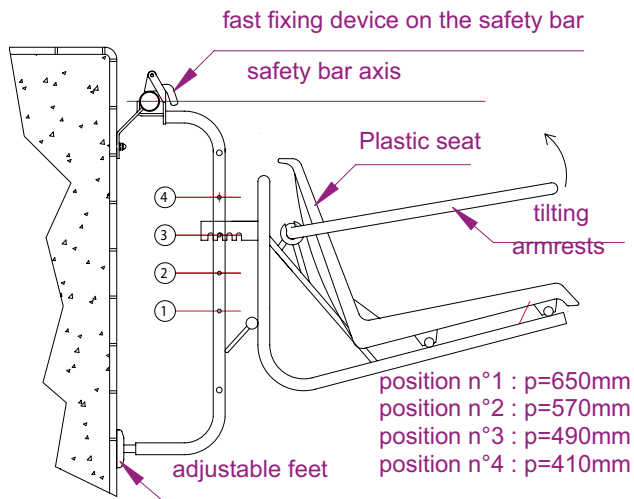


## Hydrotherapy



## Adjustable pool seat

REF. 6012.00



### DESCRIPTION :

This model is intended for the rehabilitation of the lower limbs in immersion in a pool.

### FEATURES :

- Ø25 stainless steel tube (AINSI 316L).
- Handrail fixing system accessible since the edge from the pool.
- Slope and adjustable height (4 heights, 4 slopes).
- Tilting safety armrests.
- Safety belt.
- Do not require any transformation of the pool.

It is advisable however to check if fixings of the handrail are ready to support the weight of the apparatus and the patient at the time of the exercises.

This equipment cannot be used if the basin is empty.