

Hydrotherapy

POOL HOIST



Pool transfers made easy

Pool Hoist

REF. 1111.24 - 1112.24 - 1211.24 - 1212.24



The Reval Poolside Hoist takes the strain out of hydro transfer and enables all users, irrespective of their degree of mobility, to enter the pool quickly, easily and safely.

Installed in any pool environment with a solid floor, the Reval Poolside Hoist may be adapted to incorporate a chair or stretcher system, significantly reducing manual handling risks for caregivers and providing a safer environment for patients.

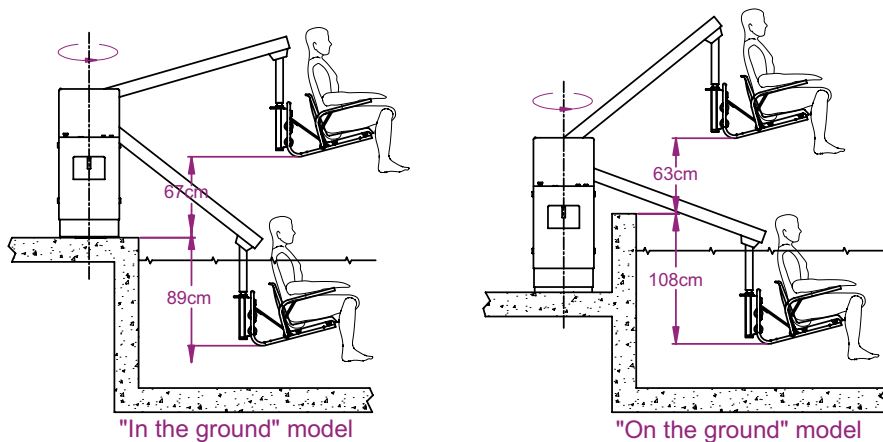
REVAL
SUSTAINABLE WELL-BEING

Hydrotherapy



Pool Hoist

REF. 1111.24 - 1112.24 - 1211.24 - 1212.24



"In the ground" model

"On the ground" model

GENERAL :

- Covers in white Polyester.
- Arm and submergeable parts in stainless steel (316L).
- Steel frame anti-corrosion coated, galvanized and painted.
- Weight of the pool lift : 130kg
- Max. load capacity : 150 kg
- Max. Immersion of the patient : 63 cm

ELECTRICITY :

- 1 X 230v/24vcc safety transformer 10A in conformity with EN61558-2-6 (model with continuous power supply)
- 2 batteries (12V - 8A/h).
- 1 loader (24V - 1000mA), recharging time: 6 hours.
- 1 green luminous indicator " ON " indicating the pool lift is under tension.
- 11 batteries level indicator. (model fedded by batteries)

ENGINE :

- 1 up/down electric jack 24Vcc, stroke 300mm.
- Rotating motor 24Vcc.
- Adjustable rotation on 360°.
- Device of orientation of the seat (with manual blocking).

SAFETY DEVICES :

- Submergeable pneumatic control.
- Emergency stop button.
- Anti-crushing device.
- Emergency rising and lowering buttons.
- Safety device in case of obstacle during the rotation by throwing out of motor.

MODELS:

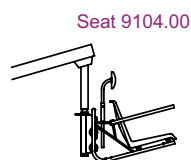
- Ref. 1111.24 for «in the ground» pool, electric rotation
- Ref. 1112.24 for «on the ground» pool, electric rotation
- Ref. 1211.24 for «in the ground» pool, manual rotation
- Ref. 1212.24 «on the ground» pool, manual rotation
- *****A Hoist with continuous power supply
- *****B Hoist fedded by battery set

ACCESSORIES :

- Easily removable with automatic safety locking system.
- Compatibles with transfer trolleys.

CONFORMITY :

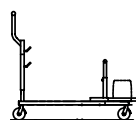
- 93/42/CEE Medical devices
- NF EN 10535 Patient hoists
- NF EN 60601-1 Electricity
- NF C15-100 Electric installation



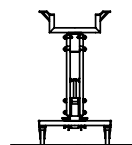
Seat 9104.00



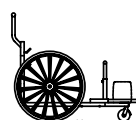
Stretcher 9107.00



Seat support 5125.00



Stretcher support 5128.00



Seat support 5126.00

