

Shower & Bath

# Amber

Comfort, hygiene and safety for perfect patient and personal care.

Electric height adjustable shower stretcher

REF. 7723.00



The shower stretcher enables persons with a poor sitting balance to be ergonomically washed under running water.

The shower stretcher is attractive, user-friendly, easy-to-maintain, has an extensive height range.

The shower stretcher is safe for both the patient and the user.

By positioning this highly versatile shower stretcher to the correct height, transfers can be easily made from other aids such as beds, stretchers, shower seats and wheel-chairs.

**REVAL**  
SUSTAINABLE WELL-BEING

## Amber

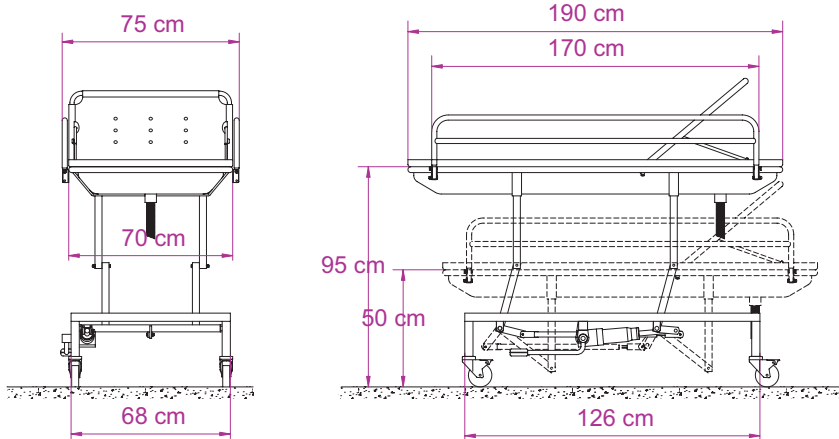


### UNIQUE FEATURES

- User friendly.
- Transfer easy.
- Easy to clean.
- Rilsan coating, shockproof.
- Silent adjustable height.
- Small size.

## Electric height adjustable shower stretcher

REF. 7723.00



### DESCRIPTION:

- Wall frame: steel, electrolytically galvanised.
- Rilsan coating, shockproof.
- Stainless steel hinges and screws.
- 4 braked & directional castors.
- Hi/Lo functions by hydraulic jack controlled by foot pedals.
- 2 folding safety barriers.
- 1 adjustable backrest.
- Support in semi-stiff punched PVC.
- Drain by collection tub with draining pipe.

### PERFORMANCES:

- Adjustable height : 50cm to 95cm
- Max patient weight : 135kg
- Weight of the trolley : 60kg

### CONFORMITY:

- 93/42/CEE (Medical Devices Directive)
- ISO 10535:2006 (Hoists for the Transfer of Disabled Persons)
- ISO 14971:2007 (Risk Management for Medical Devices)

### BATHROOM REQUIREMENTS:

- Ø40mm discharge available in proximity to shower stretcher.