

Shower & Bath

Amber

Comfort, hygiene and safety for perfect patient and personal care.

Fold Away Shower Stretcher

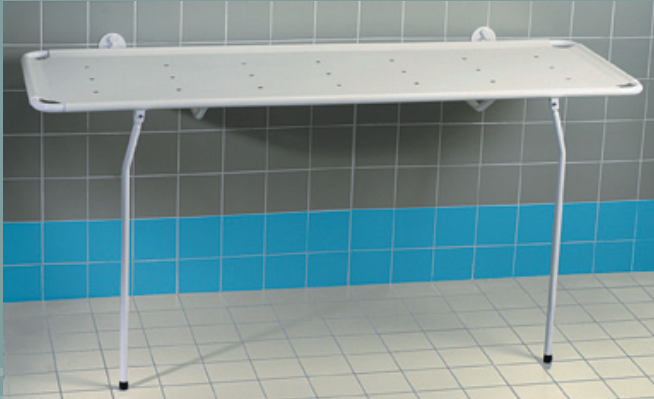
REF. 7728.00



The 7728.00 shower stretcher is a help material, to ergonomically shower people who consider balance in sitting position. The shower stretcher is easy to use, easy to clean and aesthetic.

Shower & Bath

Amber

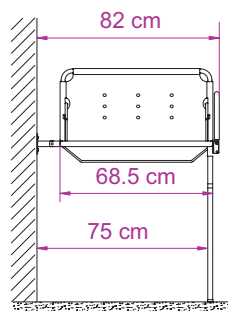
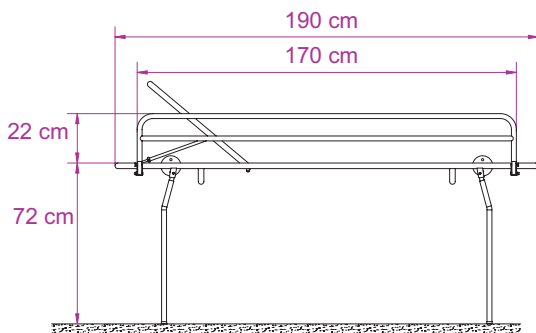


UNIQUE FEATURES

- User friendly.
- Transfer easy.
- Easy to clean.
- Rilsan coating, shockproof.

Fold Away Shower Stretcher

REF. 7728.00



DESCRIPTION:

- Steel tubular frame, Rilsan coating.
- Rilsan coating, shockproof.
- Fold-away legs
- Stainless steel hinges and screws.
- 1 folding safety barrier.
- 1 adjustable backrest.
- Support in semi-stiff punched PVC.

PERFORMS:

- Height of the support: 72cm
- Safe Working Load : 135kg
- PWeight of the complete unit : 18kg

CONFORMITY:

- 93/42/CEE (Medical Devices Directive)
- NF EN 12182 (Technical aids for disabled persons)
- ISO 14971:2007 (Risk Management for Medical Devices)