

Hygiene & Transfer

Topaz

Lying position

Comfort and safe access to all medical bathtubs

Transfer Stretcher (lying position)

REF. 5472.00 - 5479.00

The Topaz Transfer Stretcher allows a patient in a lying position to be transferred to a medical bath, combining comfort, safety and ergonomic use.



REVAL
SUSTAINABLE WELL-BEING

Hygiene & Transfer

Topaz

UNIQUE FEATURES



Pictures: Topaz ref. 5479.00 + bathtub Cocoon TS



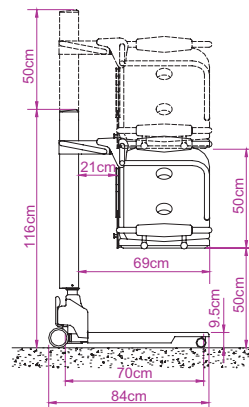
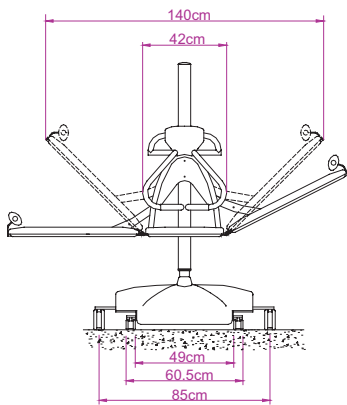
Electric version

Hydraulic version

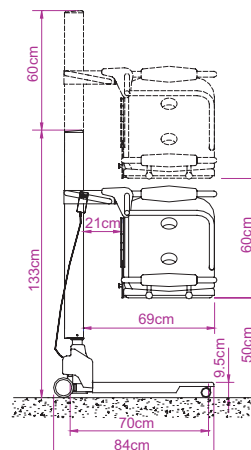
- Up/down controls activated by foot (hydraulic version) or by remote control (electric, version).
- Stretcher cover made from polyurethane. = comfort, durability, easy to clean.
- Large lifting range.
- Exceptional lifting capacity. (80 lifts at 130kg)
- 180° tilting safety bars.
- Foot and headrest in polyurethane foam.
- Structure of stretcher with Rilsan coating.
- Foldable back & leg rests adjustable in 5 positions

Transfer Stretcher (lying position)

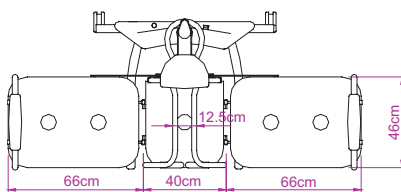
REF. 5472.00 - 5479.00



5472.00



5479.00



DESCRIPTION:

Frame

- Anti-corrosion, grey colour.
- Frame cover in ABS, plum colour.
- 4 guiding castors, 2 with brakes.

Hydraulic version (5472.00)

- Stainless steel hydraulic actuator with aluminium skirt.
- Retractable foot control.

Electric version (5479.00)

- 24V electric jack.
- 2 functions electric hand control.
- Emergency stop button.
- Emergency down button.
- 2x12V rechargeable batteries, 8Ah.
- 24V charger, 1300mA with indicator.
- Capacity at fully charged : 80 lifts at 130kg.

Submergible parts

- Steel structure divided in 3 parts with watertight coating made of Rilsan.
- Foldable back and leg rests adjustable in 5 positions.
- Support made of polyurethane foam.
- Foot and headrest made of polyurethane foam.

SPECIFICATIONS

- Maximum weight of patient : 150 kg
- Lifting range (hydraulic version) : 50 cm
- Lifting range (electric version) : 60 cm
- Unit weight (hydraulic version) : 58 kg
- Unit weight (electric version) : 63 kg

CONFORMITY

- 93/42/EEC (Medical devices Directive)
- EN 10535 (Standard for person lifts)