

Shower & Bath

Transcare

Premium comfort and ergonomic design specifically calculated to match caregiver's needs

Variable height and tilt bathtub



REF. 7200.00 UK

Easy access by lateral, swinging door, ergonomic variable height design, safe thermostatic mixing valve. Transcare was built to match the needs of its users and ensure their well-being, perfectly balancing form and function.



REVAL
SUSTAINABLE WELL-BEING

Shower & Bath

Transcare

UNIQUE FEATURES



Hand control



Maintenance door

- The water tank allows the tub to be completely filled as it tilts backwards.
- The swinging (upwards) door allows easy access, with or without a person lift.
- Variable height capability of bathtub frees the caregiver of operational challenges.
- The temperature control with antiburn feature guarantees maximum safety.
- Well-being add-ons increase and optimise bath time's beneficial effects.



Control panel



Door lock mechanism



Leg rest option



Access by hoist

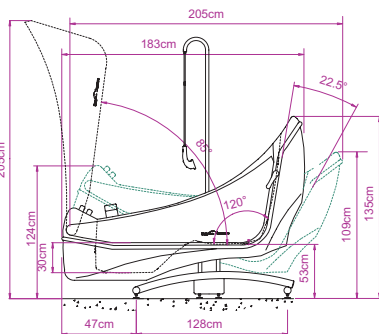


Handgrip

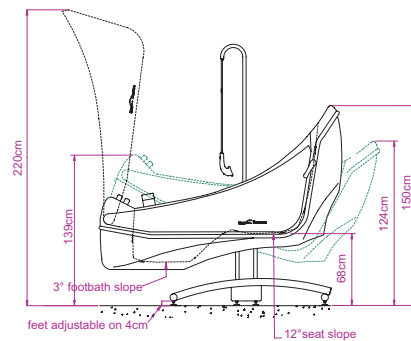
Variable height and tilt bathtub



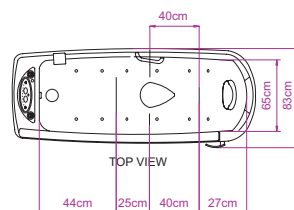
REF. 7200.00 UK



TUB IN LOW POSITION



TUB IN HIGH POSITION



TOP VIEW

VERSIONS:

REF. 7200.00 UK Bathtub «TRANSCARE» with Rada Sensedigital mixing valve.

GENERAL:

- Reinforced fiberglass tub, white colour.
- Handgrip
- Door lock mechanism in stainless steel.
- 4 functions hand control (up/down & recline/upright)
- 24V c.c. electric actuators.
- Back-up battery power.

PLUMBING:

- 48 l/min Rada sense bath & shower concealed digital mixing valve offering programmable max, min & default temperatures, automatic temperature on outlet selection, duty flush and thermal disinfection with datalogging capabilities
- Temperature display.
- Cleaning shower with flow adjustment.
- Manual draining & overflow line.
- Ø 50mm draining plug.

PERFORMS:

- Water reserve : 90 litres
- Maximal water volume : 190 litres
- Safe working load : 200kg
- Weight of the bathtub : (without base): 120kg (with base): 136kg

OPTIONS :

- 7200.20 Air whirlpool with integrated heater.
- 7200.50 Leg support.
- 7200.51 Added handgrip.
- 7200.52 Dispenser of washing product.
- 7200.60 Chromotherapy.
- 7200.70 Aromatherapy.
- 7110.99 Removable pillow.

CONFORMITY:

- WRAS approved product
- CE Marking
- 2014/35/UE (Low Voltage Directive).
- 2014/30/UE (EMC Directive).

