

Shower

Litoo

Hygiene, comfort and safety for bed bound individuals

Self-contained & Mobile Shower System

REF. 3018.00



The Litoo Shower in Bed System is personal hygiene at its most portable. Designed for individuals who are confined to bed, the fully contained mobile showering unit and easy drain waterproof bed sheet, allow clean, efficient, comfortable showering - no matter how immobile the individual.

**REVAL**  
SUSTAINABLE WELL-BEING

# Shower

## Litoo

### Step 1



Firstly, fill the fresh water container to the desired temperature.



### Step 2



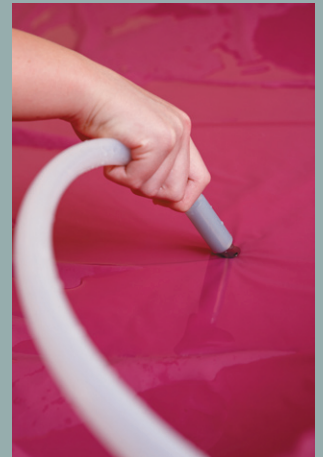
Lay one half of the purpose designed, double-width towel over the mattress, and allow the other half to rest over the side rails.

### Step 3



Next, fit the waterproof sheet under the patient. Position the sheet as evenly as possible using the fasteners provided, and fix to side rails and bed ends to ensure water containment.

### Step 4



Unclip the shower hose in readiness to use. Then unclip the water vacuum hose and position it at the lowest point of the mattress where water pools fastest. Remove the patient's clothing and check the water output temperature prior to application.

### Step 5



Check the water temperature then proceed to the shower of the patient.



### Step 6



With the shower procedure complete the patient can be dried and the sheet removed and stored. The patient can then be dressed.



### Step 7



Drain the fresh and waste water tanks into a shower tray or a ground siphon.



### Step 8



Open the waste water tank valve. Fill the disinfectant tank with water & BFR 4.0 disinfectant. Start the automatic disinfection device of the complete waste water circuit until the tank is empty.



# Shower

## Litoo

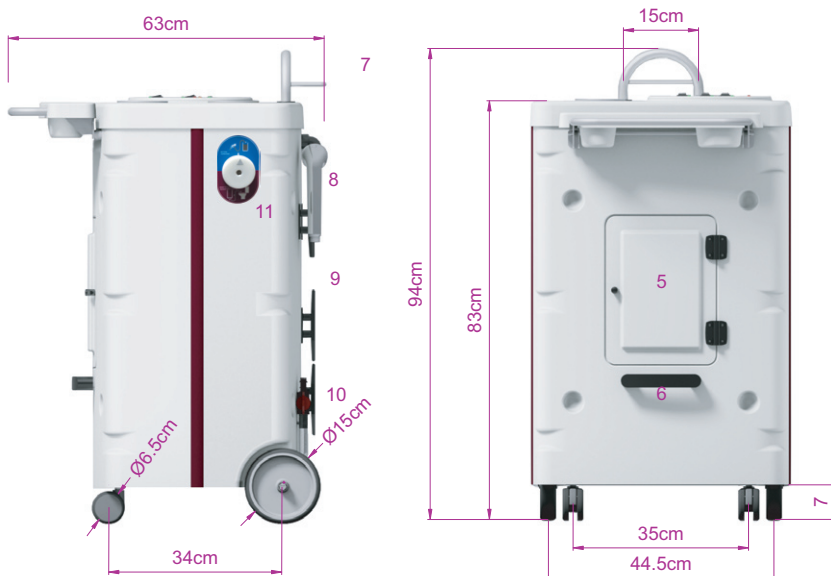


## UNIQUE FEATURES

- Battery powered device.
- Very lightweight: 18kg with battery.
- Reduced dimensions: it can be transported in the trunk of a car.
- Wash and disinfection of the complete circuit of waste water.
- Device allowing to drain waste water towards a heightened point such as a toilet.
- Generous water flow and powerful drainage pump.
- Easy clean unit coated in ABS PMMA.
- Separate circuits for fresh and waste water.

## Self-contained & Mobile Shower System

REF. 3018.00



### DESCRIPTION:

- Aluminium frame.
- Covers in ABS PMMA.
- x2 Ø150mm wheels & x2 Ø65mm wheels.
- Fresh and waste water tanks in PEHD.
- 24V shower pump.
- 24V drainage/disinfection pump.
- Simultaneous pump function.
- Chromed shower handset with removable head.
- Silicone autoclave piping.
- Towel rack.
- On/Off waterproof controls.
- Water levels waterproof indicator lights.
- Battery and disinfectant tank access panel.
- 24V 2000mAh Nimh battery with protection fuse.
- 230V/24Vdc battery loader.
- Water temperature display inside the tank.
- 1 water temperature display located on the cleaning shower head with visual and sound alarm in case of overtaking of temperature.

### PERFORMS:

- Total weight : 18kg battery included
- Fresh water tank capacity : 22 litres
- Water volume for shower : 17 litres
- Water volume of reserve : 6.5 litres
- Shower running time : 4 min 35s
- Waste water tank capacity : 22 litres
- Number of complete cycles including: shower + suction + disinfection for a fully charged battery : 5
- Battery recharging time : 4h max.
- Acoustics: 50 dbA (shower) 58dbA (suction/disinfection)

### DESCRIPTION OF SHOWER SHEET:

- 13% PES - 87% PVC - 400gr/m<sup>2</sup>
- Fire standard : ISO14116: Index1



### CONFORMITY:

- 93/42/CEE Classe I Medical Device
- IPX4 - Class 1 - CEI 60601-1-1 - CEI 60601-1-11

- 1 Control panel
- 2 Disinfectant tank
- 3 Fresh water tank
- 4 Accessory/towel rack
- 5 Battery and disinfectant tank access panel
- 6 Handle
- 7 Driving handle
- 8 Shower handset
- 9 Suction pipe with filter
- 10 Fresh and waste tank valves
- 11 «Drain to toilet» control

### SUPPLIED ACCESSORIES:

- x1 Shower sheet for bed - 90cm
- x1 White Bath towel 158x220cm 100% coton 400gr/m<sup>2</sup>
- Four fasteners

REVAL CC- Unit 17 St Theodoros Way, Brynmenyn Industrial Estate, Brynmenyn, Bridgend, CF32 9TZ TEL: +44 (0)1656 721001 EMAIL: sales@revalcc.com VISIT www.revalcc.com



# Shower

## Litoo

### ADDITIONAL ACCESSORIES

3017.10 / 3017.11



90 x 190cm shower sheet for bed  
120 x 200cm shower sheet for bed  
Material: polyurethane & woven fabric.

3017.12



Single use shower sheet for bed.

3017.20



158 x 200cm bath towel  
100% cotton 400gr/m<sup>2</sup>

3017.50



Rubis tap filling adapter set.  
(1 adapter, 1 push connector & 1 x 1m50 flexible)

TAL-02-01-5-2



TecCare Control

3018.50



24V 2Ah battery

3018.51



Complete shower flexible with shower head

3018.52



Complete suction hose with filter

3017.53



Fastener.